

## **Features**

- Flush appearance with face sheet of fiberglass reinforced polyester (FRP), acrylic modified polyester (AMP) or aluminum, that is captured on four sides by integral extruded reglets
- Door is 1-3/4" Deep
- Life time warranty door corner construction consist of mitered corners with angle alignment blocks secured with 3/8" full-width galvanized steel tie rods
- Urethane foam core
- Single acting
- Offset pivots, butt hinges or continuous geared hinge
- Surface mounted or concealed closers
- MS locks or exit device hardware
- Architects Classic push/pulls
- Vision lite infills of 1/4" or 1"
- Adjustable astragal utilizing pile weathering with polymeric fin at meeting stiles
- Sealair® bulb polymeric weatherstripping in door frames
- FRP standard texture panel finishes in fourteen standard choices
- FRP sandstone texture panel finishes in four standard choices
- AMP panel finishes in six standard choices
- Aluminum panels with three texture choices and Permanodic® anodized finishes in six choices
- Painted finishes in standard and custom choices

## **Optional Features**

- Numerous push/pull options
- Paneline® / Paneline® EL exit device

## **Product Applications**

- Flushline® is designed for high traffic applications such as schools, universities as well as highly corrosive environments such as coastal applications, manufacturing facilities and waste water treatment plants

For specific product applications,  
Consult your Kawneer representative.

Laws and building and safety codes governing the design and use of glazed entrance, window, and curtain wall products vary widely. Kawneer does not control the selection of product configurations, operating hardware, or glazing materials, and assumes no responsibility therefor.

Kawneer reserves the right to change configuration without prior notice when deemed necessary for product improvement.

© Kawneer Company, Inc., 2012

**FINISH CHART ..... 4**

**PICTORIAL VIEW ..... 5**

**CONSTRUCTION DETAILS..... 6, 7**

**FINISH CHART ..... 7**

**VISION LITE OPTIONS ..... 8**

**FACE SHEET OPTIONS ..... 9**

**HARDWARE..... 10, 11**

**FRAME ADAPTER..... 12**

**THERMAL CHARTS ..... 13-16**

LAWS AND BUILDING AND SAFETY CODES GOVERNING THE DESIGN AND USE OF GLAZED ENTRANCE, WINDOW, AND CURTAIN WALL PRODUCTS VARY WIDELY. KAWNEER DOES NOT CONTROL THE SELECTION OF PRODUCT CONFIGURATIONS, OPERATING HARDWARE, OR GLAZING MATERIALS, AND ASSUMES NO RESPONSIBILITY THEREFOR.

Metric (SI) conversion figures are included throughout these details for reference. Numbers in parentheses ( ) are millimeters unless otherwise noted.

The following metric (SI) units are found in these details:

- m – meter
- cm – centimeter
- mm – millimeter
- s – second
- Pa – pascal
- MPa – megapascal

Kawneer reserves the right to change configurations without prior notice when deemed necessary for product improvement.

Laws and building and safety codes governing the design and use of glazed entrance, window, and curtain wall products vary widely. Kawneer does not control the selection of product configurations, operating hardware, or glazing materials, and assumes no responsibility therefor.

Kawneer reserves the right to change configuration without prior notice when deemed necessary for product improvement.  
© Kawneer Company, Inc., 2012

FACE SHEET TYPE AND FINISH	FINISH OF DOOR SUB-FRAME			
	#17 CLEAR ANODIZED	#29 BLACK ANODIZED	#40 BRONZE ANODIZED	PAINTED TO MATCH
<b>FRP - STANDARD</b>				
Beige				•
Blue				•
Black		•		
Boysenberry				•
Dark Bronze			•	
Dark Grey	•			
Hartford Green				•
Light Grey	•			
Military Blue				•
Red				•
Sandstone				•
Seawolf				•
Slate Grey	•			
White				•
<b>FRP - SANDSTONE</b>				
Beige				•
Dark Bronze			•	
Light Grey	•			
White				•
<b>AMP</b>				
Chestnut			•	
Dark Maple			•	
Mahogany			•	
Oak			•	
Teak			•	
Walnut			•	
<b>ALUMINUM</b>	<b>SELECT ANODIZED OR PAINTED FINISH AS REQUIRED</b>			

**NOTE:**

The finish chart depicts standard color combinations of face sheet and door sub-frame.  
If other than standard combinations are required please consult your Kawneer representative.

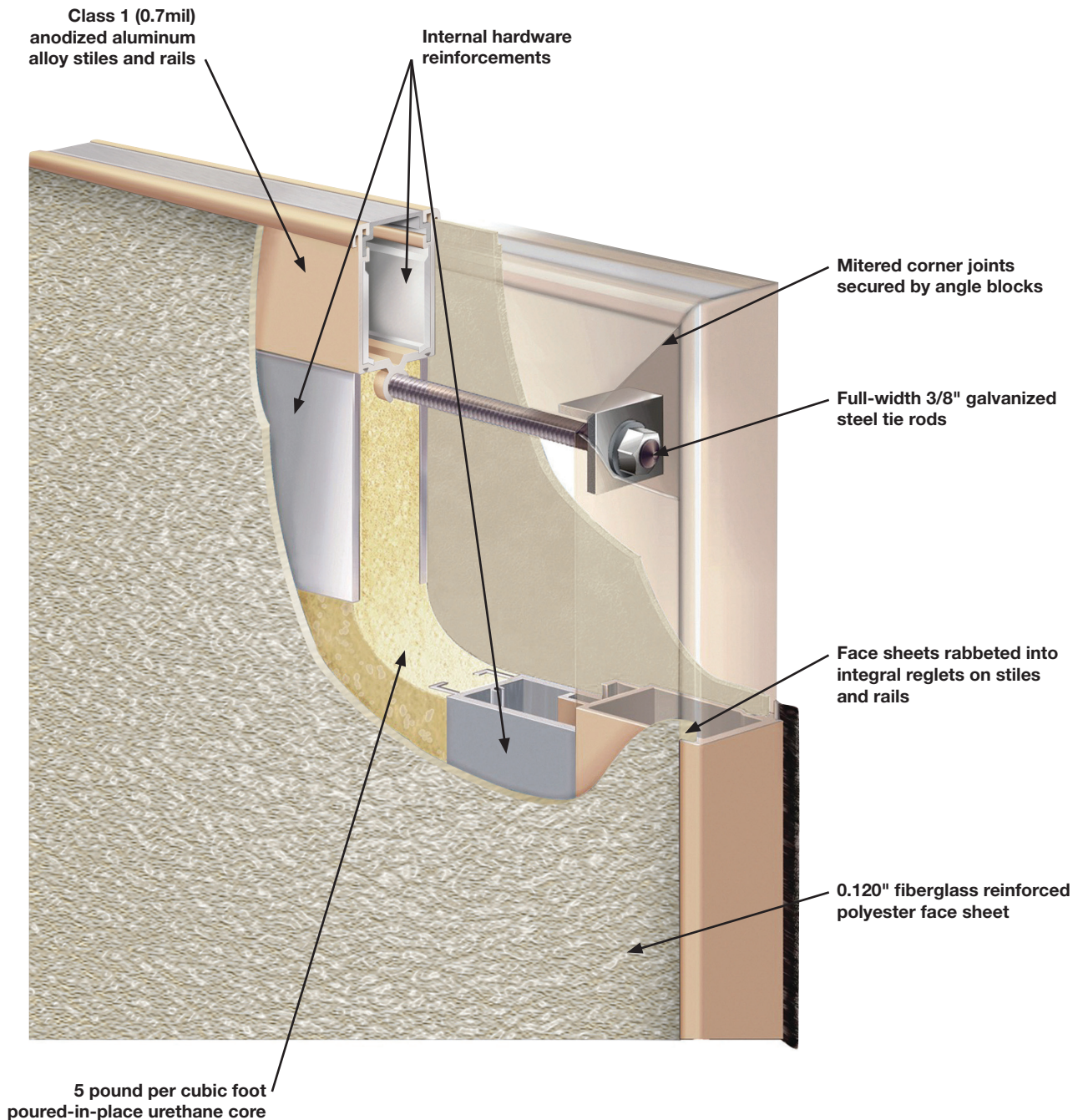
Laws and building and safety codes governing the design and use of glazed entrance, window, and curtain wall products vary widely. Kawneer does not control the selection of product configurations, operating hardware, or glazing materials, and assumes no responsibility therefor.

Kawneer reserves the right to change configuration without prior notice when deemed necessary for product improvement.

© Kawneer Company, Inc., 2012

**DOOR CONSTRUCTION**

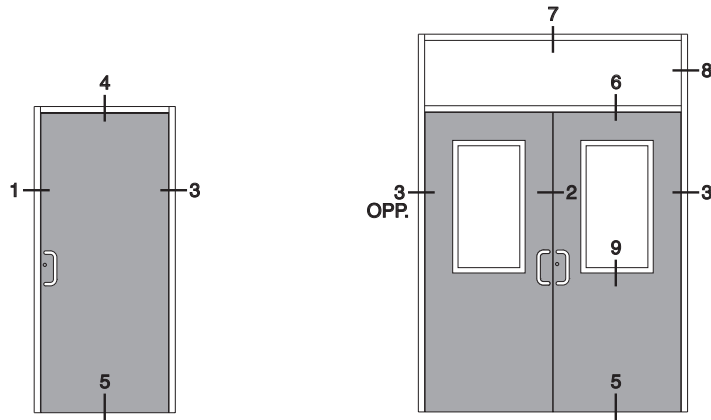
The chassis for Kawneer's Flushline Series door utilizes Kawneer's corner construction consisting of mitered corners with angle alignment blocks secured with 3/8" full-width galvanized steel tie rods. Face sheets interlock with the aluminum stiles and rails to create a hollow cavity which is then filled with frothed-in-place urethane foam. The exceptional characteristics of urethane foam assure a strong chemical bond with all internal aluminum surfaces and a tough, dimensionally stable core. Doors are reinforced internally for surface applied and mortised hardware. The standard F.R.P.(Fiberglass Reinforced Polyester) face sheet provides high impact resistance and architectural aesthetic qualities.



Laws and building and safety codes governing the design and use of glazed entrance, window, and curtain wall products vary widely. Kawneer does not control the selection of product configurations, operating hardware, or glazing materials, and assumes no responsibility therefor.

Kawneer reserves the right to change configuration without prior notice when deemed necessary for product improvement.  
© Kawneer Company, Inc., 2012

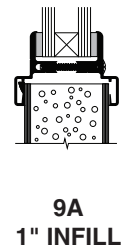
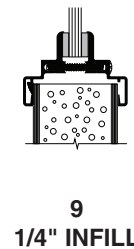
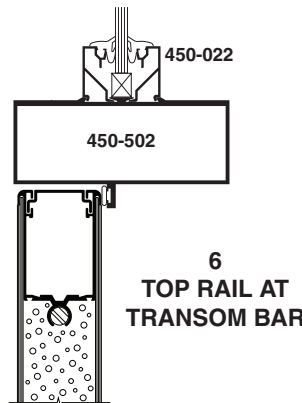
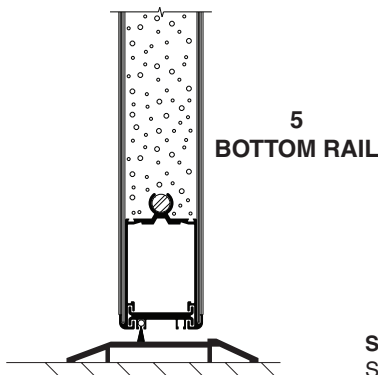
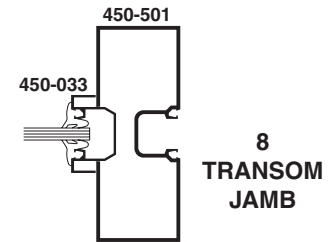
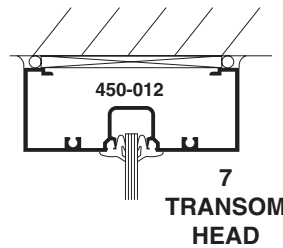
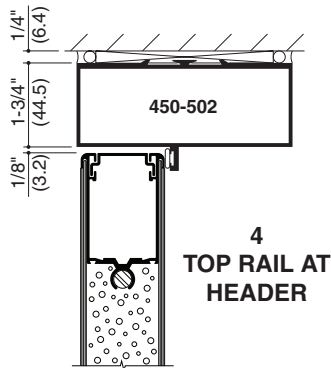
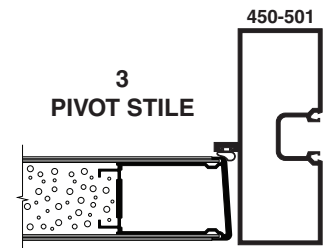
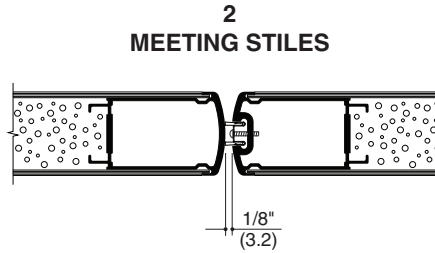
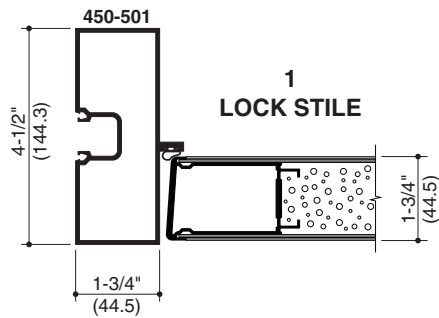
**SCALE 3" = 1'-0"**



**ELEVATIONS ARE NUMBER KEYED TO DETAILS SHOWN**

**NOTE:** Details show Trifab® VG 450 (Center) framing. Flushline® doors may be used with other Kawneer framing. Refer to other framing sections for specific details.

CAD DETAILS = Flushline\_Entrance\_pg01.dwg



**STANDARD DOOR OPENING SIZES:**

SINGLES: 3'-0" x 7'-0" (914.4 x 2133.6), VARIABLE UP TO 4'-0" x 8'-0" (1219.2 x 2438.4)

PAIRS: 6'-0" x 7'-0" (1828.8 x 2133.6), VARIABLE UP TO 8'-0" x 8'-0" (2438.4 x 2438.4)

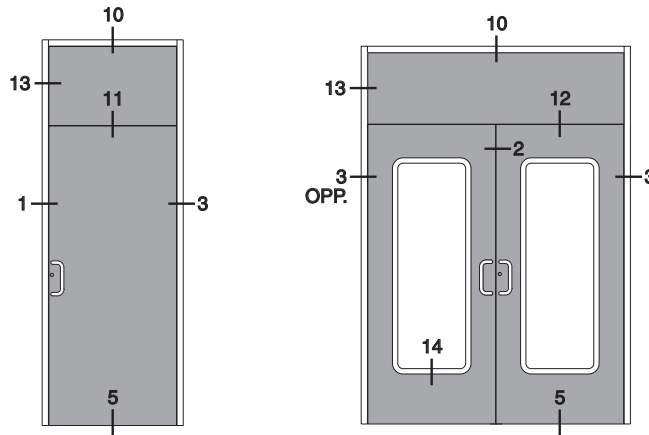
For doors over 8'-0" please consult factory.

Laws and building and safety codes governing the design and use of glazed entrance, window, and curtain wall products vary widely. Kawneer does not control the selection of product configurations, operating hardware, or glazing materials, and assumes no responsibility therefor.

Kawneer reserves the right to change configuration without prior notice when deemed necessary for product improvement.

© Kawneer Company, Inc., 2012

SCALE 3" = 1'-0"

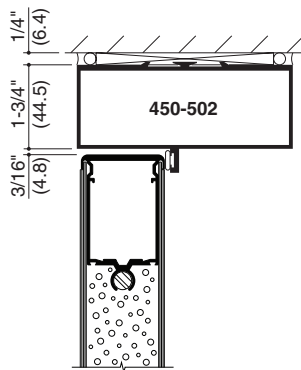


**NOTE: Transom Panel**  
**Maximum Size:**  
 Single Door - 4'-0" x 3'-0"  
 Pairs of Doors - 8'-0" x 3'-0"

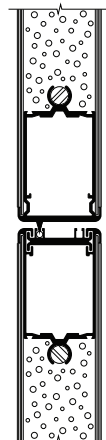
ELEVATIONS ARE NUMBER KEYED TO DETAILS SHOWN

**NOTE:** Details show Trifab® VG 450 (Center) framing. Flushline® doors may be used with other Kawneer framing. Consult individual framing sections for details.

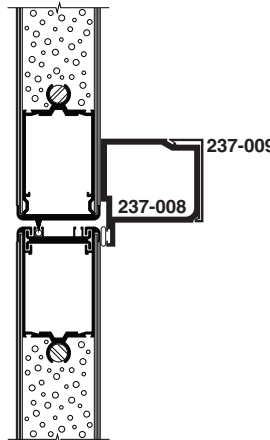
CAD DETAILS = Flushline\_Entrance\_pg02.dwg



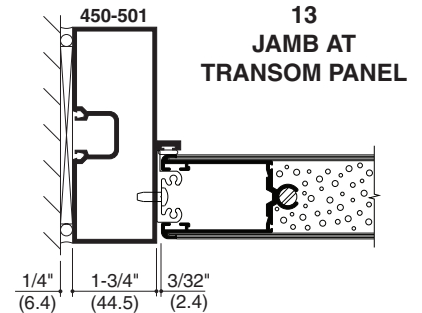
**10**  
TRANSOM PANEL HEAD



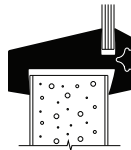
**11**  
TOP RAIL AT TRANSOM PANEL (SINGLE)



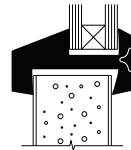
**12**  
TOP RAIL AT TRANSOM PANEL (PAIR)



**13**  
JAMB AT TRANSOM PANEL



**14**  
1/4" INFILL



**14A**  
1" INFILL

Laws and building and safety codes governing the design and use of glazed entrance, window, and curtain wall products vary widely. Kawneer does not control the selection of product configurations, operating hardware, or glazing materials, and assumes no responsibility therefor.

Kawneer reserves the right to change configuration without prior notice when deemed necessary for product improvement.  
 © Kawneer Company, Inc., 2012

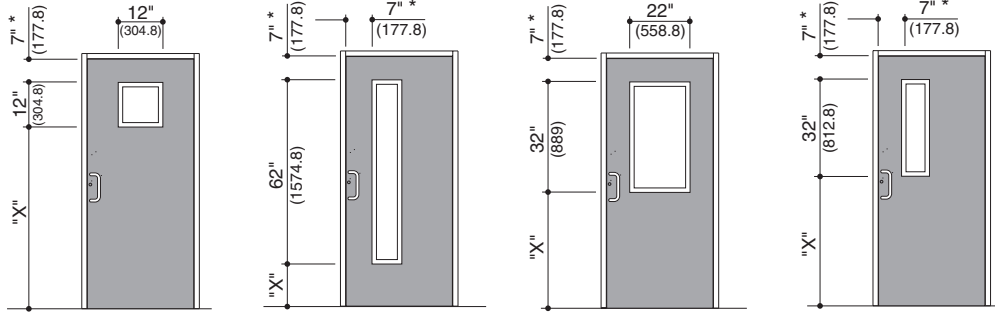
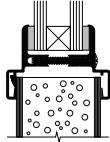
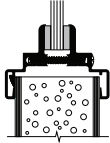
**STANDARD CONFIGURATIONS SHOWN**

Consult your Kawneer representative for vision lites other than configurations shown.

For circular or radius corner vision lites, use the gasket framed vision lite option.

**ALUMINUM FRAMED VISION LITES**

1/4" GLASS or 1" INSULATING GLASS

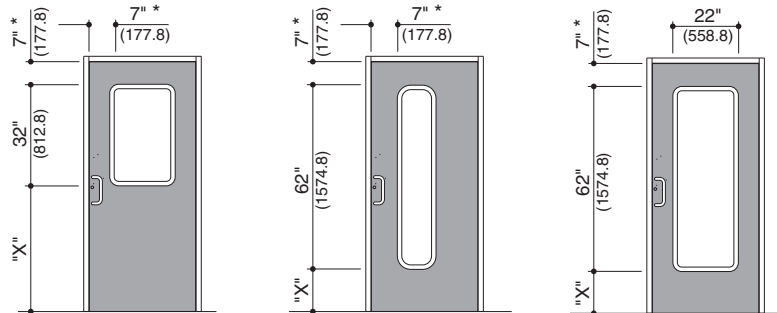
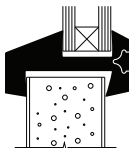
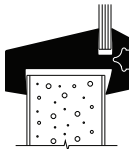


Type Designation	AVL-1	AVL-2	AVL-3	AVL-4
Vision Lite Size	Width	12" (304.8)	6" (152.4)	22" (558.8)
	Height	12" (304.8)	62" (1574.8)	32" (812.8)
Placement in Door	Centered	Lock Side	Centered	Lock Side
Minimum Edge Dimension	Variable	7" (177.8)	Variable	7" (177.8)

\* Edge dimensions shown are minimum allowed due to manufacturing constraints. Please specify dimension "X" (Bottom of Door to Bottom of Vision Lite).

**GASKET FRAMED VISION LITES**

1/4" GLASS or 1" INSULATING GLASS



Type Designation	GVL-1	GVL-2	GVL-3
Vision Lite Size	Width	22" (558.8)	10" (254)
	Height	32" (812.8)	62" (1574.8)
Placement in Door	Centered	Lock Side	Centered
Minimum Edge Dimension	Variable	7" (177.8)	Variable

\* Edge dimensions shown are minimum allowed due to manufacturing constraints. Please specify dimension "X" (Bottom of Door to Bottom of Vision Lite).

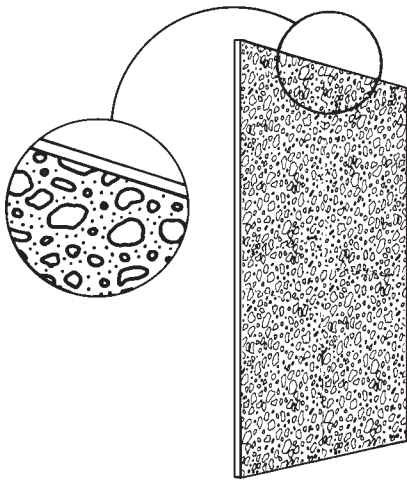
Laws and building and safety codes governing the design and use of glazed entrance, window, and curtain wall products vary widely. Kawneer does not control the selection of product configurations, operating hardware, or glazing materials, and assumes no responsibility therefor.

Kawneer reserves the right to change configuration without prior notice when deemed necessary for product improvement.  
© Kawneer Company, Inc., 2012



**STANDARD DOOR FACE SHEETS**

FOR EXTERIOR AND INTERIOR SURFACES



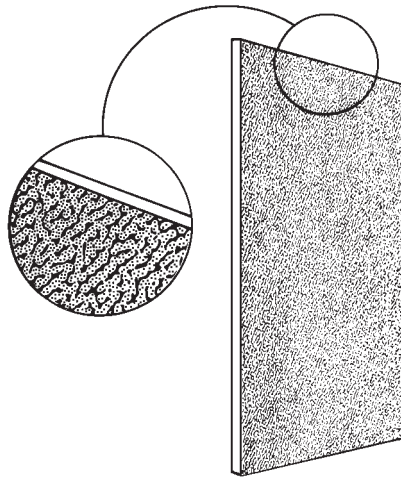
**F.R.P. (Fiberglass Reinforced Polyester)**

.120 (3.0) Thick

**Standard Texture**

**Available Finishes:**

Beige, Blue, Black, Boysenberry, Dark Bronze, Dark Grey, Hartford Green, Light Grey, Military Blue, Red, Sandstone, Seawolf, Slate Grey and White



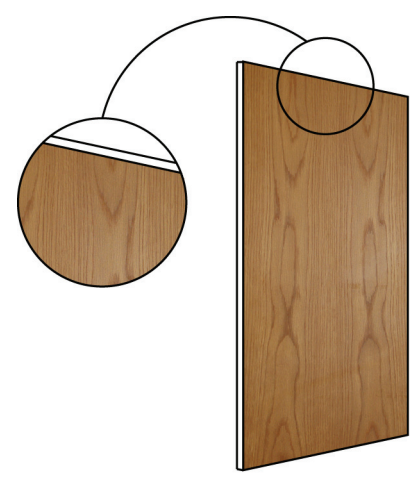
**F.R.P. (Fiberglass Reinforced Polyester)**

.120 (3.0) Thick

**Sandstone Texture**

**Available Finishes:**

Beige, Dark Bronze, Light Grey and White



**A.M.P. (Acrylic Modified Polyester)**

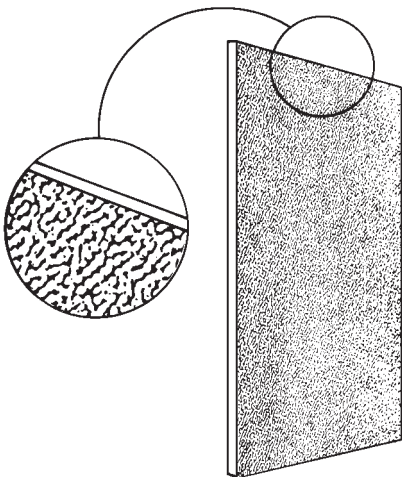
.120 (3.0) Thick

**Available Finishes:**

Chestnut, Dark Maple, Mahogany, Oak, Teak and Walnut

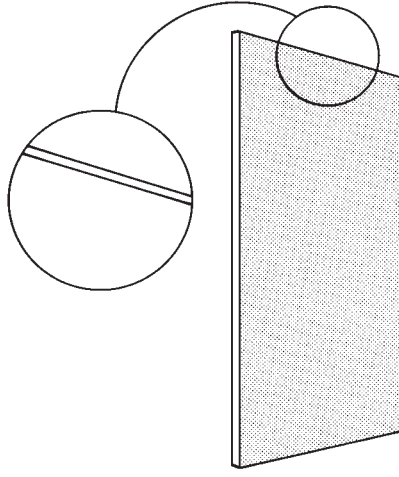
**OPTIONAL DOOR FACE SHEETS**

FOR EXTERIOR AND INTERIOR SURFACES



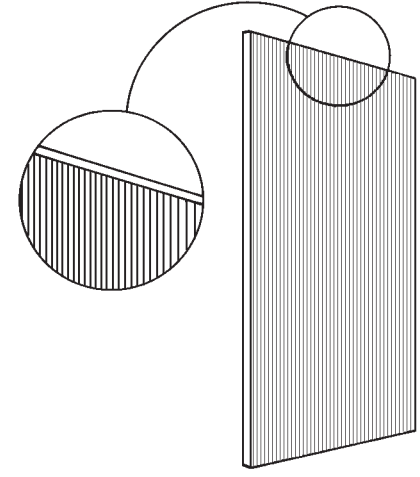
**Embossed Aluminum Sheet**

.062 (1.6) Thick



**Plain (Unpatterned) Aluminum Sheet**

.062 (1.6) Thick



**Embossed (Vertical Ribbed) Aluminum Sheet**

.062 (1.6) Thick

Laws and building and safety codes governing the design and use of glazed entrance, window, and curtain wall products vary widely. Kawneer does not control the selection of product configurations, operating hardware, or glazing materials, and assumes no responsibility therefor.

Kawneer reserves the right to change configuration without prior notice when deemed necessary for product improvement.

© Kawneer Company, Inc., 2012

**NOTE:** SEE HARDWARE SECTION FOR COMPLETE DESCRIPTION OF THE HARDWARE LISTED BELOW.

**HINGES & PIVOTS**

**BUTT HINGES** ..... Kawneer Standard 4-1/2" x 4" (114.3 x 101.6) NRP butt hinges, 1-1/2 pair per leaf.

**OFFSET PIVOTS** ..... Kawneer Standard Top, Bottom Pivots with Intermediate Pivot.

**DOOR CLOSERS**

**SURFACE MOUNTED** ..... Norton 1601 adjustable or 1601 BF adjustable, LCN 1260 adjustable or LCN 4040 Super Smoothee.

**LOCKS AND LATCHES**

**DEADLOCKS** ..... Adams Rite MS-1850A

**CYLINDRICAL LOCKSET** ..... Yale 5407 Series

**MORTISE LOCKSET** ..... Yale CRR-8860-2FL with Lever Handle

**MORTISE LOCKSET** ..... Yale LF 8860-2 with Knob Lock Trim

} For Mortise Lockset Only

**NOTE:** Yale locksets are for use on single doors only.

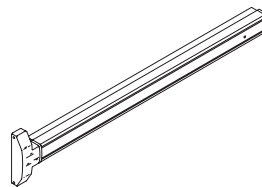
**PUSH-PULLS**

**Architects Classic:**

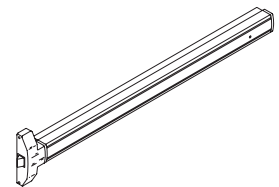
- CO-9 Pull and CP-II Push Bar
- CO-9 Pull and CP Push Bar
- CO-12 Pull and CP-II Push Bar
- CO-12 Pull and CP Push Bar
- CO-9 and CO-9 Pull
- CO-12 and CO-12 Pull

**EXIT DEVICES AND PULLS**

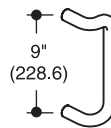
**KAWNEER STANDARD**



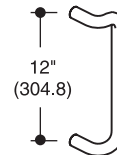
**CONCEALED ROD**  
Dor-O-Matic/Falcon 1690  
Dor-O-Matic/Falcon EL 1690



**RIM LATCH**  
Dor-O-Matic/Falcon 1790  
Dor-O-Matic/Falcon EL 1790



**STYLE "CO-9"**



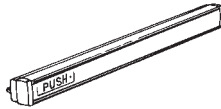
**STYLE "CO-12"**

**NOTE:** "CPN" PULL NOT AVAILABLE ON FLUSHLINE®

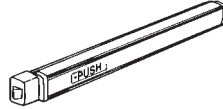
Laws and building and safety codes governing the design and use of glazed entrance, window, and curtain wall products vary widely. Kawneer does not control the selection of product configurations, operating hardware, or glazing materials, and assumes no responsibility therefor.

Kawneer reserves the right to change configuration without prior notice when deemed necessary for product improvement.  
© Kawneer Company, Inc., 2012

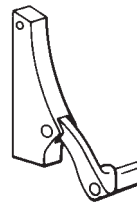
OPTIONAL EXIT DEVICES



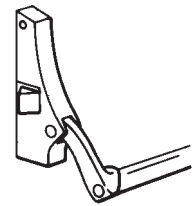
CONCEALED ROD  
Dor-O-Matic/Falcon 1490



RIM LATCH  
Dor-O-Matic/Falcon 1590



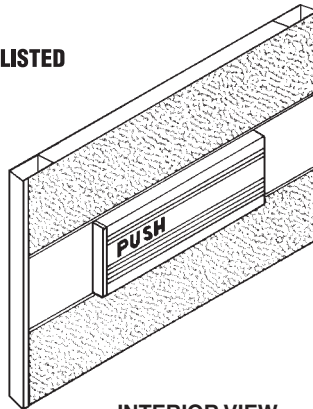
CONCEALED ROD  
Dor-O-Matic/Falcon 1990



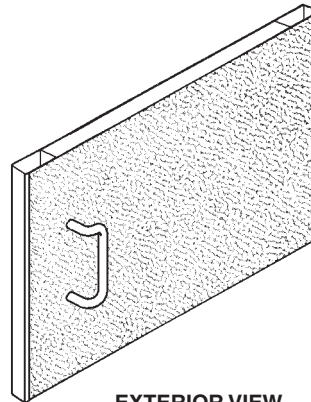
RIM LATCH  
Dor-O-Matic/Falcon 2090

PANELINE® CONCEALED ROD EXIT DEVICE

See Hardware section for complete description of Paneline hardware, including finish of units  
Paneline uses mortise cylinder in lieu of the normal rim-type.



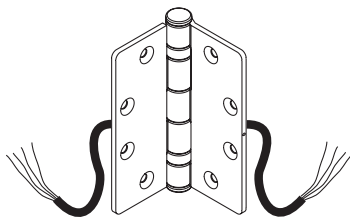
INTERIOR VIEW



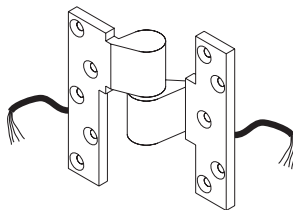
EXTERIOR VIEW

PANELINE® EL EXIT DEVICE COMPONENTS

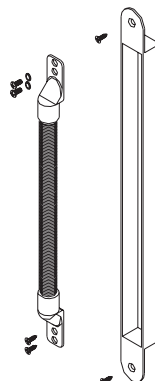
The Optional Paneline EL device is designed for electrified access control and is compatible with most key pad and card reader systems.



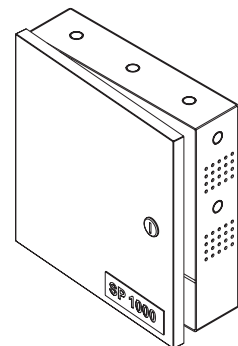
POWER TRANSFER  
INTERMEDIATE BUTT HINGE



POWER TRANSFER  
INTERMEDIATE OFFSET PIVOT



ELECTRIC POWER TRANSFER  
(EPT)



SP 1000 POWER SUPPLY

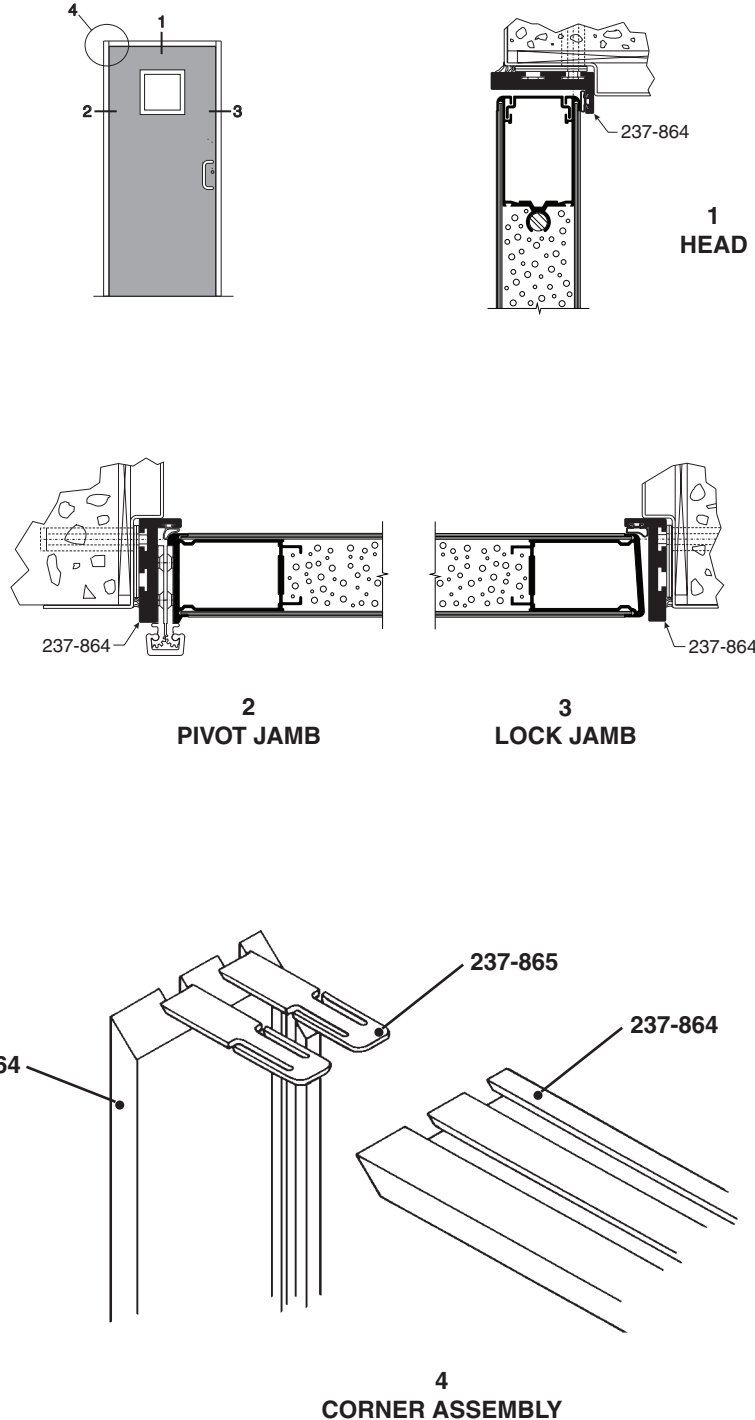
Laws and building and safety codes governing the design and use of glazed entrance, window, and curtain wall products vary widely. Kawneer does not control the selection of product configurations, operating hardware, or glazing materials, and assumes no responsibility therefor.

Kawneer reserves the right to change configuration without prior notice when deemed necessary for product improvement.

© Kawneer Company, Inc., 2012

The Flushline® Frame Adapter is an economical answer for remodel/retrofit projects where new entrance doors are being installed into existing frame. The Flushline® Frame Adapter utilizes Kawneer's SEALAIR® bulb weathering for a resistive weatherseal on three sides of the door. When the frame adapter is used in conjunction with a continuous hinge the need for existing frame tear-out and attempting to align hardware on a new door with an existing frame is eliminated.

CAD DETAILS = Flushline\_Entrance\_pg03.dwg



Laws and building and safety codes governing the design and use of glazed entrance, window, and curtain wall products vary widely. Kawneer does not control the selection of product configurations, operating hardware, or glazing materials, and assumes no responsibility therefor.

Kawneer reserves the right to change configuration without prior notice when deemed necessary for product improvement.  
© Kawneer Company, Inc., 2012

**Thermal Transmittance<sup>1</sup> (BTU/hr • ft<sup>2</sup> • °F)**

Glass U-Factor <sup>3</sup>	Overall U-Factor <sup>4</sup>
0.48	0.73
0.46	0.73
0.44	0.73
0.42	0.72
0.40	0.72
0.38	0.72
0.36	0.71
0.34	0.71
0.32	0.70
0.30	0.70
0.28	0.70
0.26	0.69
0.24	0.69
0.22	0.69
0.20	0.68
0.18	0.68
0.16	0.67
0.14	0.67
0.12	0.67
0.10	0.66

**Single Door with Aluminum Panel and Vision Lite**

**NOTE:** For glass values that are not listed, linear interpolation is permitted.

1. U-Factors are determined in accordance with NFRC 100.
2. SHGC and VT values are determined in accordance with NFRC 200.
3. Glass properties are based on center of glass values (winter conditions) and are obtained from your glass supplier.
4. Overall U-Factor, SHGC, and VT Matricies are based on the standard NFRC specimen size of 960mm wide by 2090mm high (37-3/4" by 82-3/8").

**SHGC Matrix<sup>2</sup>**

Glass SHGC <sup>3</sup>	Overall SHGC <sup>4</sup>
0.75	0.19
0.70	0.18
0.65	0.17
0.60	0.16
0.55	0.15
0.50	0.14
0.45	0.13
0.40	0.12
0.35	0.12
0.30	0.11
0.25	0.10
0.20	0.09
0.15	0.08
0.10	0.07
0.05	0.04

**Visible Transmittance<sup>2</sup>**

Glass VT <sup>3</sup>	Overall VT <sup>4</sup>
0.75	0.15
0.70	0.14
0.65	0.13
0.60	0.12
0.55	0.11
0.50	0.10
0.45	0.09
0.40	0.08
0.35	0.07
0.30	0.06
0.25	0.05
0.20	0.04
0.15	0.03
0.10	0.02
0.05	0.01

Laws and building and safety codes governing the design and use of glazed entrance, window, and curtain wall products vary widely. Kawneer does not control the selection of product configurations, operating hardware, or glazing materials, and assumes no responsibility therefor.

Kawneer reserves the right to change configuration without prior notice when deemed necessary for product improvement.  
© Kawneer Company, Inc., 2012

**Thermal Transmittance<sup>1</sup>** (BTU/hr • ft<sup>2</sup> • °F)

Glass U-Factor <sup>3</sup>	Overall U-Factor <sup>4</sup>
0.48	0.67
0.46	0.67
0.44	0.67
0.42	0.66
0.40	0.66
0.38	0.66
0.36	0.65
0.34	0.65
0.32	0.65
0.30	0.64
0.28	0.64
0.26	0.64
0.24	0.63
0.22	0.63
0.20	0.63
0.18	0.62
0.16	0.62
0.14	0.61
0.12	0.61
0.10	0.61

**Pair of Doors with Aluminum Panel and Vision Lite**

**NOTE:** For glass values that are not listed, linear interpolation is permitted.

1. U-Factors are determined in accordance with NFRC 100.
2. SHGC and VT values are determined in accordance with NFRC 200.
3. Glass properties are based on center of glass values (winter conditions) and are obtained from your glass supplier.
4. Overall U-Factor, SHGC, and VT Matricies are based on the standard NFRC specimen size of 1920mm wide by 2090mm high (75-1/2" by 82-3/8").

**SHGC Matrix<sup>2</sup>**

Glass SHGC <sup>3</sup>	Overall SHGC <sup>4</sup>
0.75	0.19
0.70	0.18
0.65	0.17
0.60	0.16
0.55	0.15
0.50	0.14
0.45	0.13
0.40	0.12
0.35	0.11
0.30	0.10
0.25	0.09
0.20	0.08
0.15	0.07
0.10	0.06
0.05	0.05

**Visible Transmittance<sup>2</sup>**

Glass VT <sup>3</sup>	Overall VT <sup>4</sup>
0.75	0.15
0.70	0.14
0.65	0.13
0.60	0.12
0.55	0.11
0.50	0.10
0.45	0.09
0.40	0.08
0.35	0.07
0.30	0.06
0.25	0.05
0.20	0.04
0.15	0.03
0.10	0.02
0.05	0.01

Laws and building and safety codes governing the design and use of glazed entrance, window, and curtain wall products vary widely. Kawneer does not control the selection of product configurations, operating hardware, or glazing materials, and assumes no responsibility therefor.

Kawneer reserves the right to change configuration without prior notice when deemed necessary for product improvement.  
© Kawneer Company, Inc., 2012

**Thermal Transmittance<sup>1</sup> (BTU/hr • ft<sup>2</sup> • °F)**

Glass U-Factor <sup>3</sup>	Overall U-Factor <sup>4</sup>
0.48	0.57
0.46	0.57
0.44	0.57
0.42	0.56
0.40	0.56
0.38	0.55
0.36	0.55
0.34	0.55
0.32	0.54
0.30	0.54
0.28	0.54
0.26	0.53
0.24	0.53
0.22	0.53
0.20	0.52
0.18	0.52
0.16	0.51
0.14	0.51
0.12	0.51
0.10	0.50

**Single Door with FRP Panel and Vision Lite**

**NOTE:** For glass values that are not listed, linear interpolation is permitted.

1. U-Factors are determined in accordance with NFRC 100.
2. SHGC and VT values are determined in accordance with NFRC 200.
3. Glass properties are based on center of glass values (winter conditions) and are obtained from your glass supplier.
4. Overall U-Factor, SHGC, and VT Matrices are based on the standard NFRC specimen size of 960mm wide by 2090mm high (37-3/4" by 82-3/8").

**SHGC Matrix<sup>2</sup>**

Glass SHGC <sup>3</sup>	Overall SHGC <sup>4</sup>
0.75	0.18
0.70	0.17
0.65	0.16
0.60	0.15
0.55	0.14
0.50	0.13
0.45	0.12
0.40	0.11
0.35	0.10
0.30	0.09
0.25	0.08
0.20	0.07
0.15	0.06
0.10	0.05
0.05	0.04

**Visible Transmittance<sup>2</sup>**

Glass VT <sup>3</sup>	Overall VT <sup>4</sup>
0.75	0.15
0.70	0.14
0.65	0.13
0.60	0.12
0.55	0.11
0.50	0.10
0.45	0.09
0.40	0.08
0.35	0.07
0.30	0.06
0.25	0.05
0.20	0.04
0.15	0.03
0.10	0.02
0.05	0.01

Laws and building and safety codes governing the design and use of glazed entrance, window, and curtain wall products vary widely. Kawneer does not control the selection of product configurations, operating hardware, or glazing materials, and assumes no responsibility therefor.

Kawneer reserves the right to change configuration without prior notice when deemed necessary for product improvement.  
© Kawneer Company, Inc., 2012

**Thermal Transmittance<sup>1</sup>** (BTU/hr • ft<sup>2</sup> • °F)

Glass U-Factor <sup>3</sup>	Overall U-Factor <sup>4</sup>
0.48	0.51
0.46	0.51
0.44	0.51
0.42	0.50
0.40	0.50
0.38	0.50
0.36	0.49
0.34	0.49
0.32	0.49
0.30	0.48
0.28	0.48
0.26	0.48
0.24	0.47
0.22	0.47
0.20	0.47
0.18	0.46
0.16	0.46
0.14	0.45
0.12	0.45
0.10	0.45

**Pair of Doors with FRP Panel and Vision Lite**

**NOTE:** For glass values that are not listed, linear interpolation is permitted.

1. U-Factors are determined in accordance with NFRC 100.
2. SHGC and VT values are determined in accordance with NFRC 200.
3. Glass properties are based on center of glass values (winter conditions) and are obtained from your glass supplier.
4. Overall U-Factor, SHGC, and VT Matricies are based on the standard NFRC specimen size of 1920mm wide by 2090mm high (75-1/2" by 82-3/8").

**SHGC Matrix<sup>2</sup>**

Glass SHGC <sup>3</sup>	Overall SHGC <sup>4</sup>
0.75	0.18
0.70	0.17
0.65	0.16
0.60	0.15
0.55	0.14
0.50	0.13
0.45	0.12
0.40	0.11
0.35	0.10
0.30	0.09
0.25	0.08
0.20	0.07
0.15	0.06
0.10	0.05
0.05	0.04

**Visible Transmittance<sup>2</sup>**

Glass VT <sup>3</sup>	Overall VT <sup>4</sup>
0.75	0.15
0.70	0.14
0.65	0.13
0.60	0.12
0.55	0.11
0.50	0.10
0.45	0.09
0.40	0.08
0.35	0.07
0.30	0.06
0.25	0.05
0.20	0.04
0.15	0.03
0.10	0.02
0.05	0.01

Laws and building and safety codes governing the design and use of glazed entrance, window, and curtain wall products vary widely. Kawneer does not control the selection of product configurations, operating hardware, or glazing materials, and assumes no responsibility therefor.

Kawneer reserves the right to change configuration without prior notice when deemed necessary for product improvement.  
© Kawneer Company, Inc., 2012